



CABINETS QUICK!

1742 N. Case Street, Orange, California 92865
P. 714-532-9005 / F. 714-532-9007
cabinetsquick.com
info@cabinetsquick.com

FREE QUOTE REQUEST

PROJECT NAME OR NUMBER _____	CONTACT NAME _____	CELL _____
COMPANY NAME _____	PHONE _____	FAX _____
STREET ADDRESS _____	EMAIL _____	
CITY, STATE, ZIP _____	HOW DID YOU HEAR ABOUT US? _____	

CABINET (CASE) MATERIALS

MELAMINE:
 White Melamine
 Hardrock Maple Melamine
 Other Color _____

MDF:
 Raw(Plain MDF) _____
 Veneer Type _____

PLYWOOD:
 Pre-Finished Maple Plywood
 Pre-Finished Birch Import Plywood
 Plywood _____
 Ply-Classic Core Ply-Veneer Core

LAMINATES:
 Brand/Color # _____
 1 Side (Face) Color _____
 1 Side (Back) Color _____
 Core: MDF Ply-Classic Core
 Particle Board Ply-Veneer Core

EXTERIOR [CABINET] MATERIALS

Exposed Ends (Finished Ends)
 Material _____

Exposed (Visible) Interior
 Material Color: _____

Wall Bottom Materials
 Match Exterior Match Interior
 Material. Cabinet Material

EDGE BANDING MATERIALS

CABINET
 Brand/Color# _____
 Material: PVC Veneer P-LAM
 Thickness 1/2 mm 3 mm
 Face Frame - No Banding on Cabinet

ADJUSTABLE SHELF
 Color _____
 Material: PVC Veneer P-LAM
 Thickness 1/2 mm 3 mm
 *Standard is that Edgebanding will match adjustable shelf Material Color.

By selecting this option Cabinets Quick will follow **our** typical standards and order delivery methods, only **materials and hardware** need to be specified.

CABINET (CASE) CONSTRUCTION
 Confirmat w/ Dowels on Finished Ends
 All Confirmat Construction
 All Dowel Construction

ASSEMBLY
 Assembled Cabinets
 Flat Stacket Parts

DOOR REVEAL
 Base Cabinets: *Standard is 1/4 top 0" bottom reveal
 *Top: 1/4" 3/8" Other: _____"
 Bottom: 0" Other: _____"
 Wall Hung Upper & Tall Cabinets:
 *Standard is 1/8" top 0" bottom reveal
 *Top: 1/4" 3/8" Other: _____"
 Bottom: 0" Other: _____"

DOORS & DRAWERS

SLAB DOOR & DRAWER FRONTS
 Provide Drawers & Door Fronts
No Yes

LAMINATES OR MELAMINE
 Brand/Color # _____
 1 Side (Face) Color _____
 1 Side (Back) Color _____
 Core: MDF Ply-Classic Core
 Particle Board Ply-Veneer Core
 Grain Matching Yes No
 Drill Doors for Hinge Cups
No Yes:
 *Standard drilling is 3" from top and bottom of door.

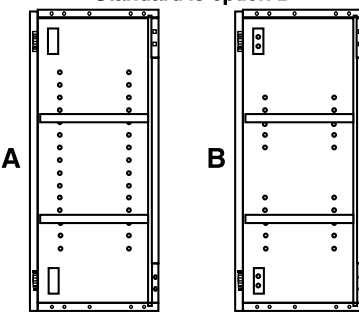
HARDWARE

HINGES
 Provide Hinges
 No Yes:
 Blum 120,Inserta Non-Soft Close
 Blum 110 Inserta Soft Close

DRAWER GUIDES
 Provide Drawer Guides
 No Yes:
 Side Mount * Standard drilling is for Accu-Ride or K&V drawer guides
 Undermount Model Blum 563 Series
 Tandem Box
 Metabox
 *As part of our service we provide drawer guide drilling.
 *Standard drilling is for Blum 563 series hardware.
 *Standard is that hardware is not included as part of the quote.

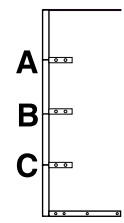
CABINET LINE [BORE] DRILL
 (A) Line Bore Per Opening
 (B) Only Required Holes (5 per Shelf)

***Standard is option B**




***Order depth not include doors.
 Cabinet dimensions do not include toe base height.**

DRAWER STRECHERS
 [A] Drawer Stretcher at Top Drawer Only
 [A,B,C] Drawer Stretcher at All Drawers
 [NO] Drawer Stretchers
 *Standars is no drawer stretchers.



BASE TOP STRETCHERS
 Top Stretcher Full Top
 *Standars is 4" top stretchers.



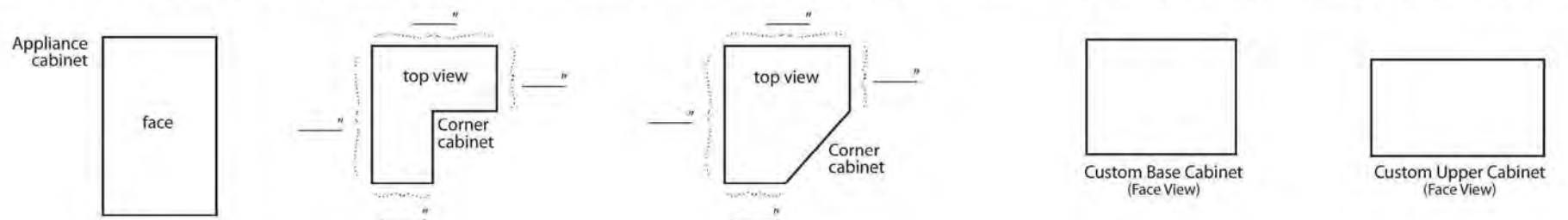
DRAWER BOX PARTS
 Provide Drawers
 No Yes
 Melamine:
 White Black Hardrock Maple
 Plywood:
 Prefinished Maple Plywood
 * Standard construction is dowel.
 *5/8" drawer box parts and 1/4" bottom.
 *Drawel parts follow cabinet parts flat or assembled.

If you need additional options and configurations, please contact us for futher informaion.

PARTS & SHIPPING
 Pick Up [will call]
 Delivery [contact CQ to schedule]

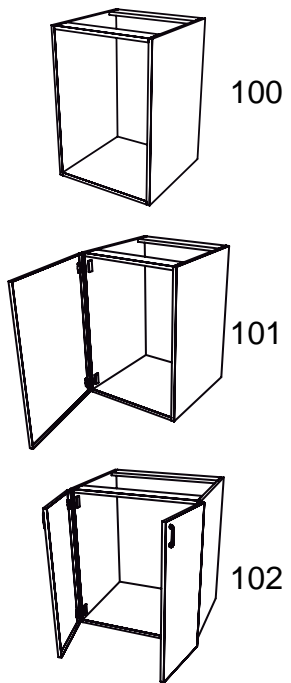
Company Name _____														Project Name or Number _____		Room Name or Number _____	
Item #	Cabinets Quick Template #	Quantity	Width	Height	Depth (excluding door)	Hinging: L, R, (Pair), (Open)	Finished Ends: L, R, (Both)	# of Vertical Partitions	Vertical Partitions: Specify interior clear opening from Left	# of Fixed Shelves	Fixed Shelves: Specify interior clear opening from Top	# of Adjustable Shelves	# of Drawer Fronts	Drawer Front Height: Specify from Top to Bottom	Additional Instructions: inset apron, false front, panels, fillers, need for edgebanding, etc.		

Use this area to give us additional information and details as needed. NOTE: Provide INSIDE CLEAR dimensions or send sketch/CAD drawings for custom cabinets.

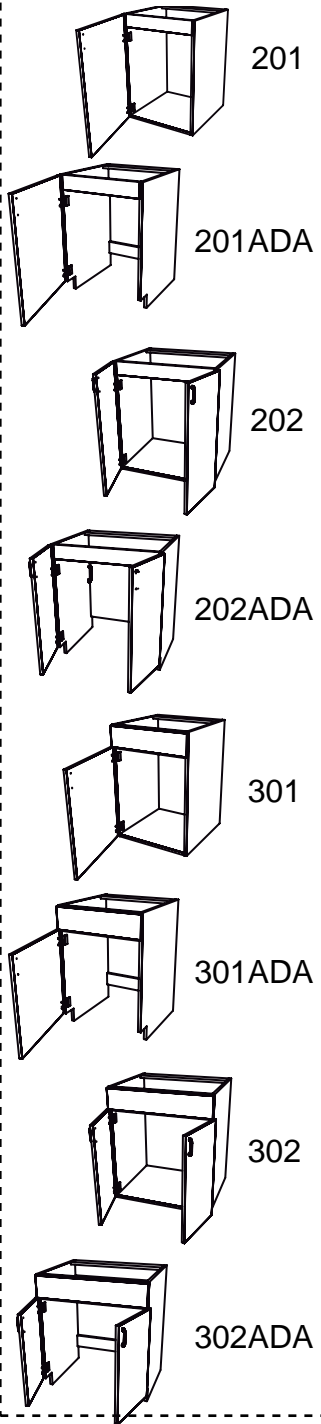


CABINET REFERENCE

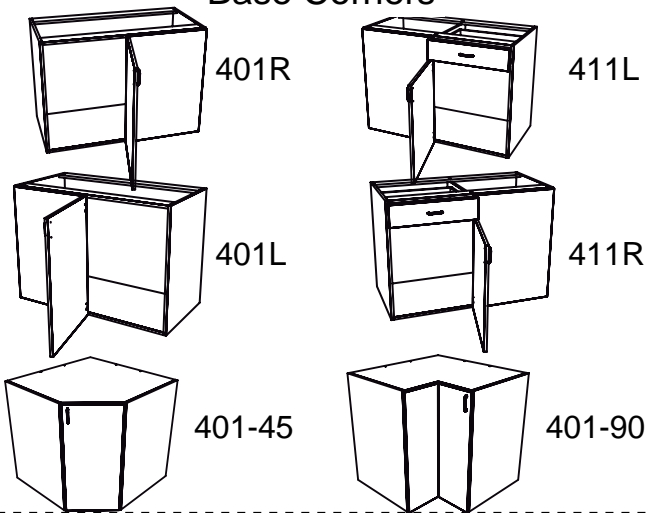
Bases



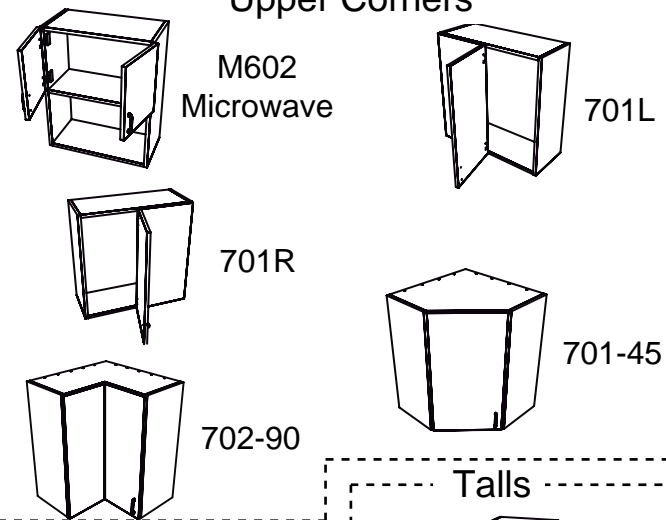
Sink Bases



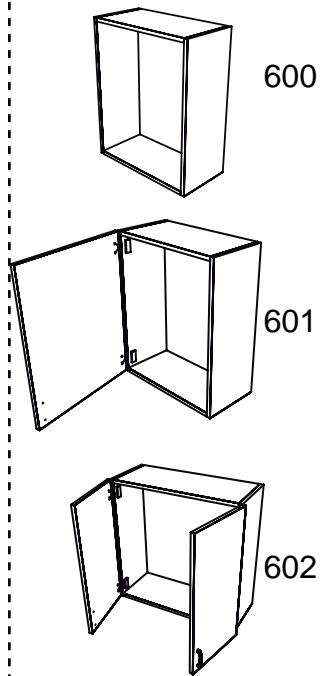
Base Corners



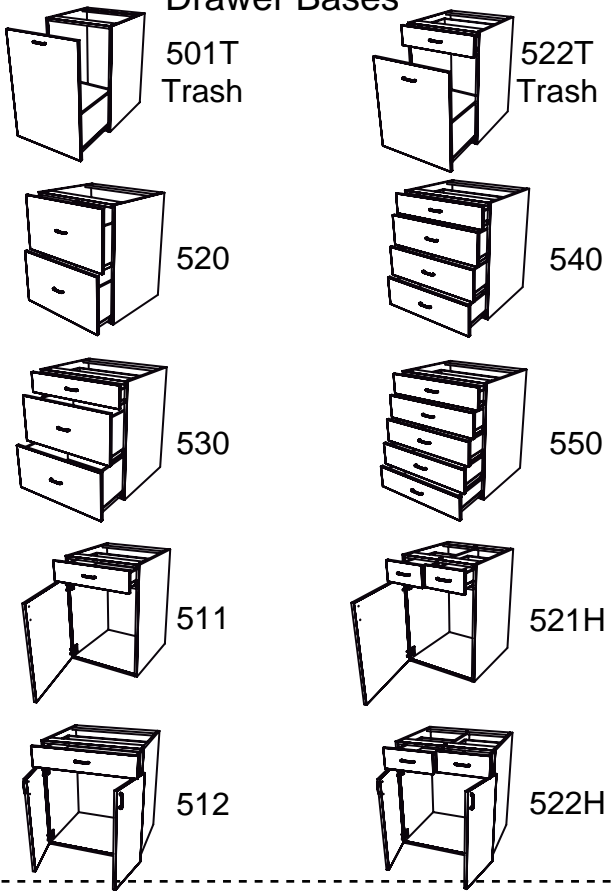
Upper Corners



Uppers



Drawer Bases



Talls

